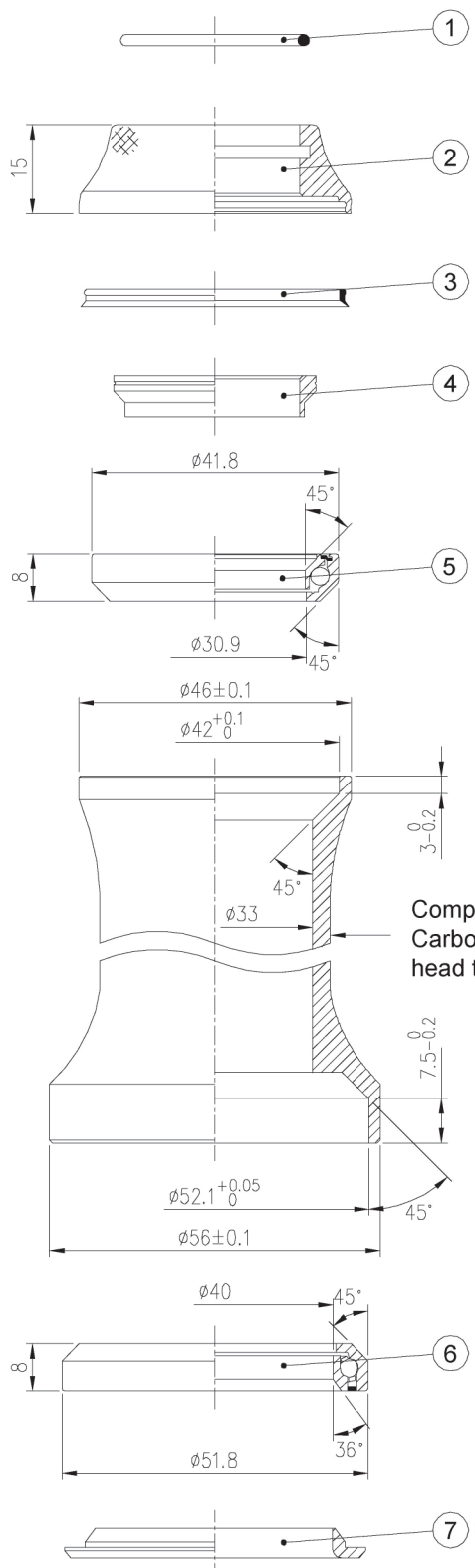


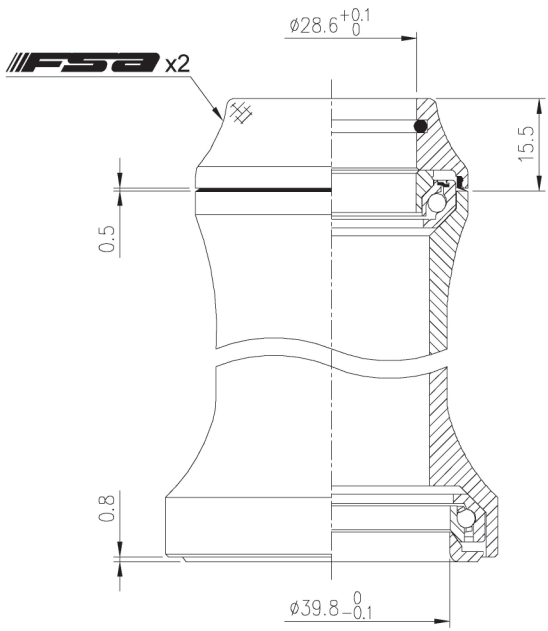
Integrated Headset

NO.42/CF/ACB

1-1/8" Upper, 1.5" Bottom
 45°/ 45° ACB Upper
 1.5" 36°/ 45° ACB Lower
 45° / 45° ACB(Compatible with Carbon or Alloy head tubes)



Compatible with Carbon or Alloy head tubes



Stack Height 15.5+0.8=16.3



Custom cone spacer		
Item No	T	Stack Height
H2100A	8.7mm	10mm

- For tapered 46mm/56mm OD headtube
- For tapered fork steerer 1.5" to 1-1/8"
- Carbon fiber top cover
- Upper : Campy Angular Contact Bearing (Black seal)
- Lower : 1.5" 36°/45° Angular Contact Bearing

No	Item No	Material	Qty
⑦	H6083 {NO.42/ACB-6}	Stainless	1PCS
⑥	MR110 {073-RS}	Chrome Steel	1SET
⑤	MR121 {870E-RS}	Chrome Steel	1SET
④	H2081 {NO.8-2}	Alloy	1PCS
③	MS100	Steel w/ rubber sealed	1PCS
②	H2100B {NO.8C-2}	Carbon	1PCS
①	MS053 {872}	Rubber	1PCS

